

COMMERCIAL WORKSTATIONS

Explore our wide range of quality Commercial & Industrial Workstations with a variety of worktop finishes. Special units are available on request.

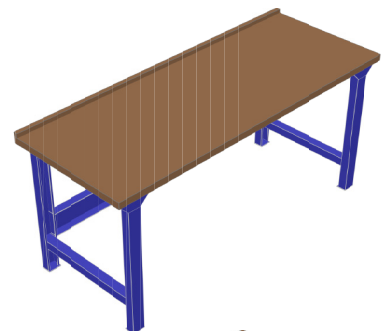
Options

- Supawood tops
- Steel tops
- Worktop Shelves
- Electrical plugs points
- Lighting systems
- Drawer cabinets with a variety of drawer sizes and dividers



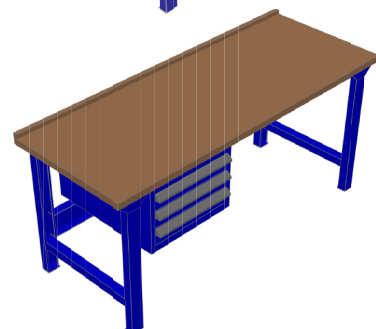
Workstation Type A

Code	WSSUP1820A
Finish	Powder coated
Dimensions	900mm H x 1820mm W x 725mm D
Drawer Unit	N/A




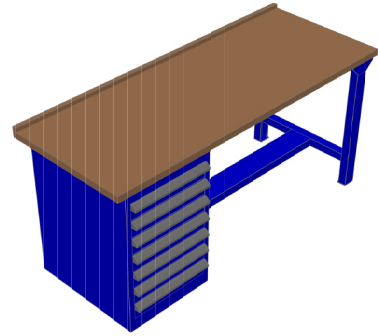
Workstation Type B

Code	WSSUP1820B
Finish	Powder coated
Dimensions	900mm H x 1820mm W x 725mm D
Drawer Unit	1 x undersided




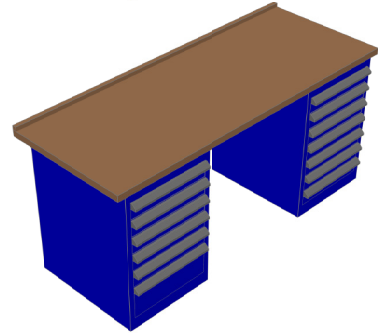
Workstation Type C

Code	WSSUP1820C
Finish	Powder coated 
Dimensions	900mm H x 1820mm W x 725mm D
Drawer Unit	1 x full pedestal




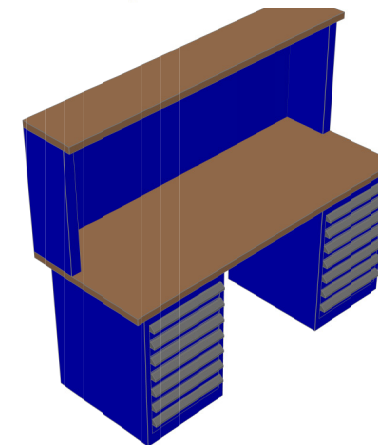
Workstation Type D

Code	WSSUP1820D
Finish	Powder coated 
Dimensions	900mm H x 1820mm W x 725mm D
Drawer Unit	2 x full pedestals




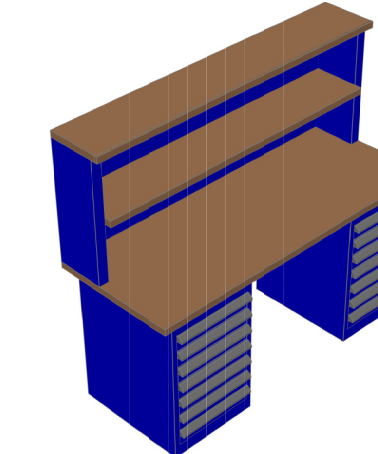
Workstation Type E - with perforated back panel and top shelf

Code	WSSUP1820E
Finish	Powder coated 
Dimensions	900mm H x 1820mm W x 725mm D
Drawer Unit	2 x full pedestals



Workstation Type F - with perforated back panel, top and middle shelf

Code	WSSUP1820F
Finish	Powder coated 
Dimensions	900mm H x 1820mm W x 725mm D
Drawer Unit	2 x full pedestals



MAKE YOUR SPACE WORK FOR YOU.

Johannesburg: **T** 010 900 4328
Pretoria: **T** 060 000 3277
Cape Town: **T** 021 555 2557/0140
Durban: **T** 032 941 5114
Port Elizabeth/East London: **T** 060 000 2781

Toll Free 0861 MRSHELF or 0861 677435
www.mrshelf.co.za

MR. SHELF